



B0477179

per

**PURCHASE ORDER
MARIANO MARCOS STATE UNIVERSITY**

City of Batac 2906 Ilocos Norte

Supplier : CITIPOINT METAL CRAFT Address : City of Batac TIN : 163-977-409-000	P.O. No. : 07308603-2021-09-551 Date : September 13, 2021 Mode of Procurement : NP-Small Value
--	--

Gentlemen: PR No.: 2021-08-136 (07308603)- USAID-WARP
 Please furnish this Office the following articles subject to the terms and conditions contained herein:

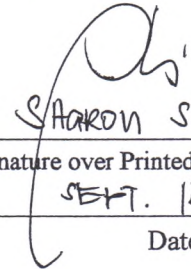
Place of Delivery : MMSU, City of Batac Date of Delivery : within 30 calendar days upon receipt of P.O.	Delivery Term : FOB Destination Payment Term : N/30
--	--

Stock/ Property No.	Unit	Description	Quantity	Unit Cost	Amount
	sets	150-L capacity SS Fermentation equipment reactor/tank (outsourced), pls. see attached	2	42,000.00	84,000.00
TOTAL					84,000.00

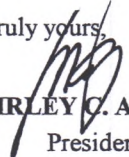
(Total Amount in Words): Eighty Four Thousand Pesos Only

In case of failure to make the full delivery within the time specified above, a penalty of one-tenth (1/10) of one percent for every day of delay shall be imposed on the undelivered item/s.

Conforme:


SHARON S. DULIG
 Signature over Printed Name of Supplier
SEPT. 14 2021
 Date

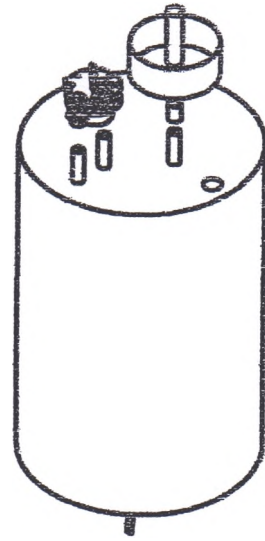
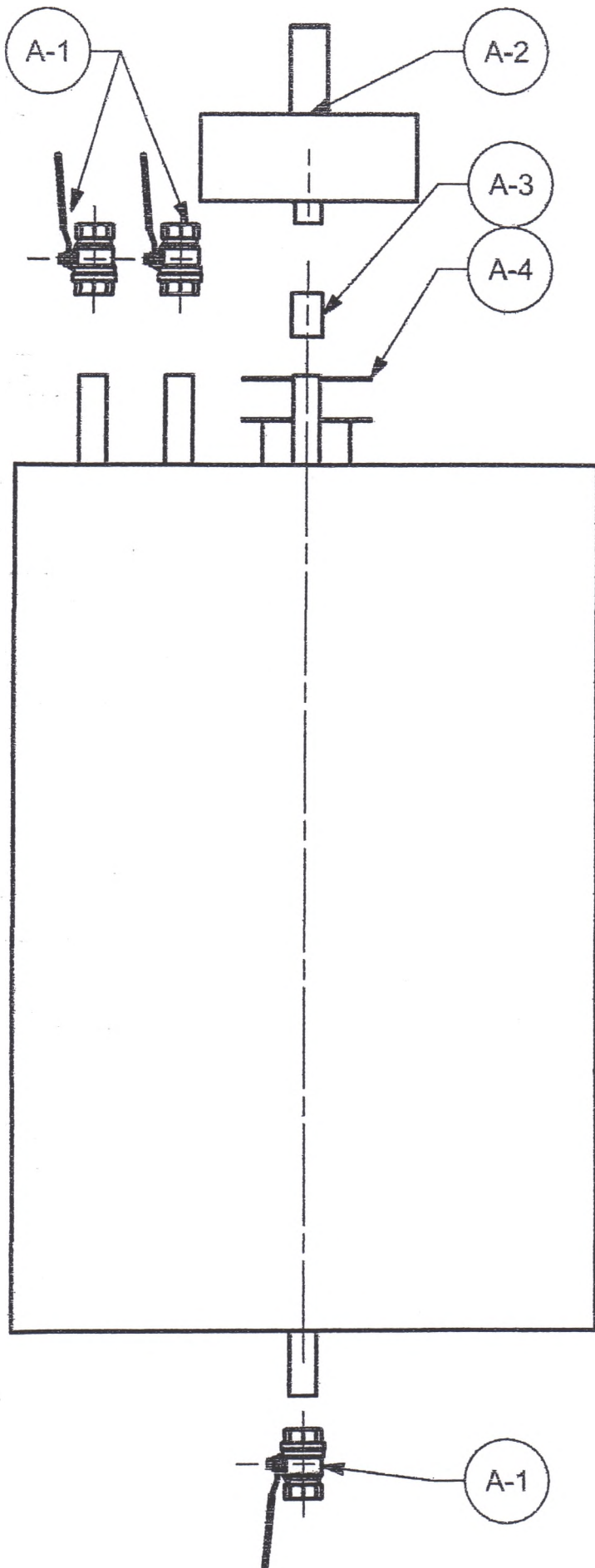
Very truly yours,


SHIRLEY C. AGRUPIS
 President

Fund Cluster : 07308603
Funds Available : _____

Imelda C. Corpuz
IMELDA C. CORPUZ
 Chief, Accounting Office

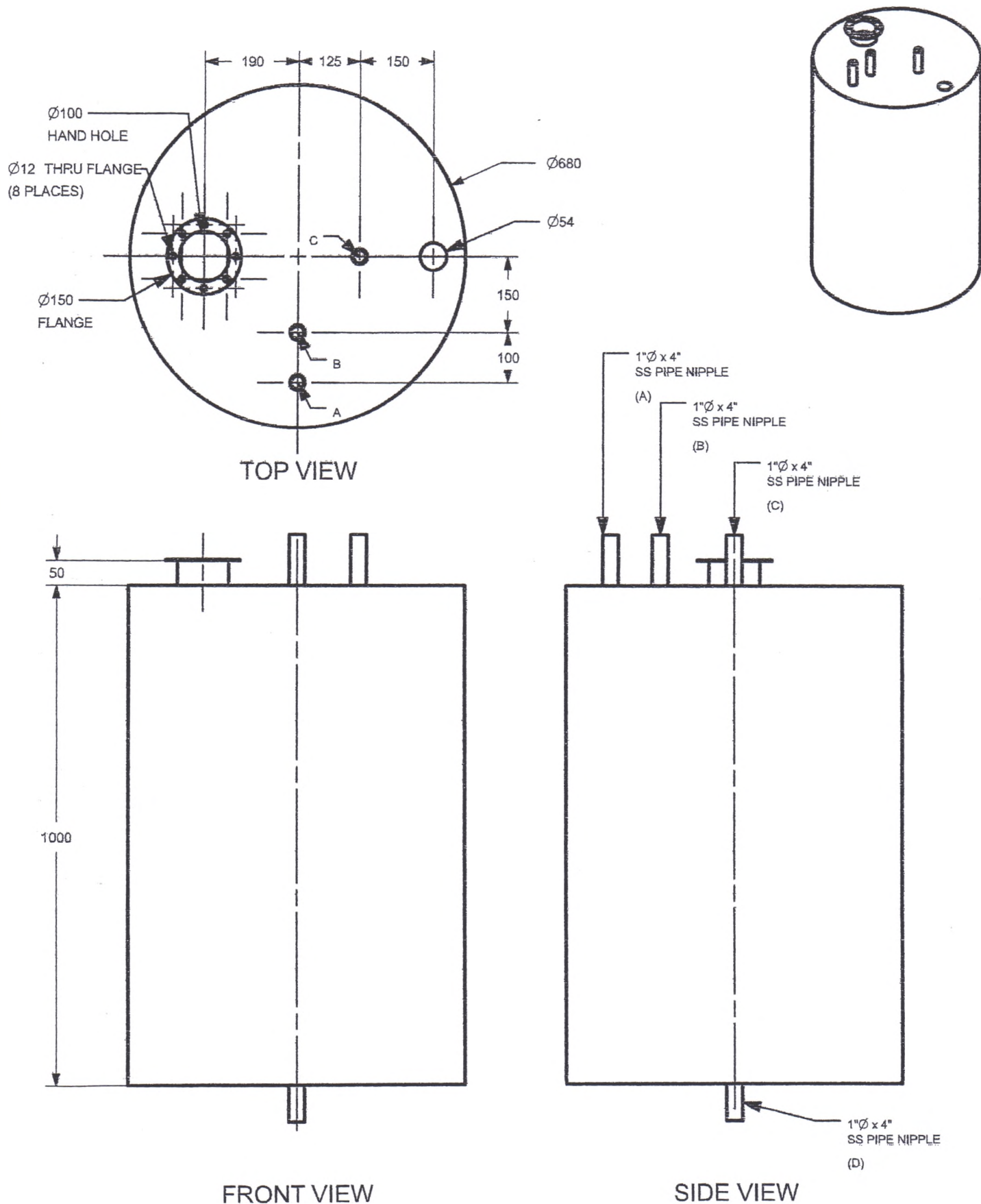
ORS/BURS No. : _____
Date of the ORS/BURS: _____
Amount : _____



CALLOUT	DESCRIPTION
A-1	1" BALL VALVE, BRONZE
A-2	BUBBLER
A-3	1" \varnothing SS PIPE COUPLER
A-4	6" \varnothing BLIND FLANGE W/ GASKET

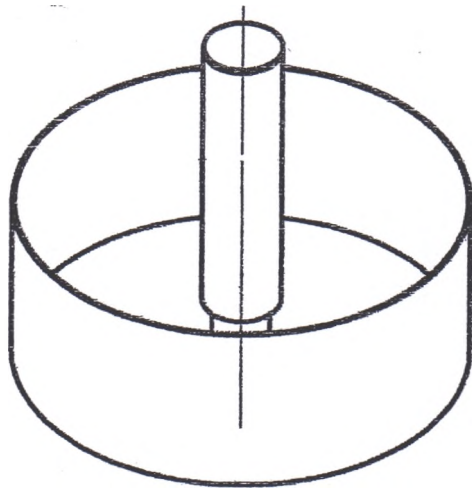
DRAWING TITLE:
150-L CAPACITY SS FERMENTATION EQUIPMENT
REACTOR/TANK

FERMENTER TANK W/ ACCESSORIES
EXPLODED VIEW



FERMENTER TANK DETAILS

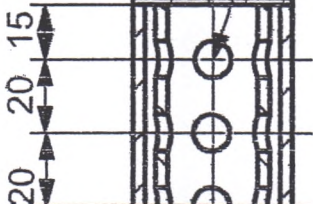
NOTE: ALL DIMENSIONS ARE IN MILLIMETERS UNLESS SPECIFIED OTHERWISE



2" \varnothing SS SHEET CAP
2mm THICKNESS
WELD TO BOTH PIPES

$\varnothing 10$ DRILL THRU

1.5" \varnothing X 6"
SS PIPE



25

1" \varnothing X 9"
SS PIPE

BUBBLER WATER BUCKET
 $\varnothing 10"$ x 4"
2mm THICKNESS

BUBBLER
CROSS-SECTION VIEW

NOTE: ALL DIMENSIONS ARE IN MILLIMETERS UNLESS SPECIFIED OTHERWISE